



# AEF-801 DUALFLUSH<sup>®</sup> AUTOMATIC FLUSH VALVE CONVERSION KIT

## Description

The **AEF-801 DUALFLUSH<sup>®</sup>** is a revolutionary full-featured automatic flush valve conversion kit with the dual operation capability as a manual flush valve. The AEF-801 automatic flush valve conversion kit will retrofit SLOAN<sup>®</sup> Royal<sup>®</sup> /Regal<sup>®</sup> and ZURN<sup>®</sup> exposed manual flushometers on urinals and closets (toilets). The AEF-801's unique Patented system allows for automatic and manual operation using the original diaphragm. The Patented **DUALFLUSH<sup>®</sup>** design allows for the original flush handle to be used as an alternate flush option that is independent of the battery power. The **AEF-801 DUALFLUSH<sup>®</sup>** by Advanced Modern Technologies Corporation is the most efficient, economical, and reliable automatic flush valve on the market.



## Features

- Hands Free Infrared Sensor Activation
- Quiet Operation
- Retrofit Conversion Kit For Sloan<sup>®</sup> Royal<sup>®</sup> and Regal<sup>®</sup> and Zurn<sup>®</sup> Manual Flushometers
- Universal Model Fits Both Urinal And Closet (Toilet) Applications
- Uses Original Manual Diaphragm
- Independent Mechanical Override By Way of Original Manual Flush Handle or Button
- Adjustable Sensor Angle
- Easy Battery Replacement-No Water Shut Off Necessary
- Operates on (4) AA Alkaline Batteries (included)
- Battery Life - Up To 100,000 Flushes
- 6 Volt AC/DC Power Conversion Kit (available)
- Conveniently Located, User Friendly "Dip Switches" Control All AEF-801 Features, Including Water Volume, Sensor Range, Water Saver Mode, and Ghost Flush
- Standard Vandal Resistant Chrome Plated Metal Cover
- Patented System Eliminates the use of a Solenoid
- Water Resistant Design

## Variations

- ◇ Locking Ring for Sloan<sup>®</sup> Flushometer
- ◇ Locking Ring for Zurn<sup>®</sup> Flushometer

## Accessories

- ◇ 6 Volt AC/DC Power Conversion Kit
- ◇ Push Button Conversion Kit (PBCK)

## ADA Compliant



## Warranty

3 Years

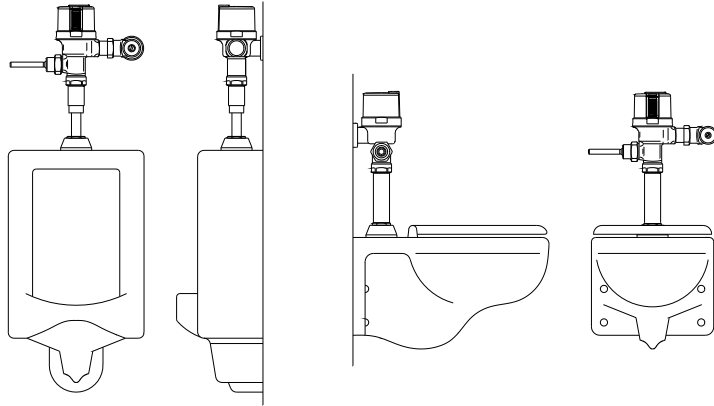
<b>Architect/Engineer Approval</b>	
Job Name	_____
Date	_____
Quantity	_____
Variations Specified	_____
Customer/Wholesaler	_____
Contractor	_____
Architect	_____



# AEF-801 DUALFLUSH<sup>®</sup>

## AUTOMATIC FLUSH VALVE CONVERSION KIT

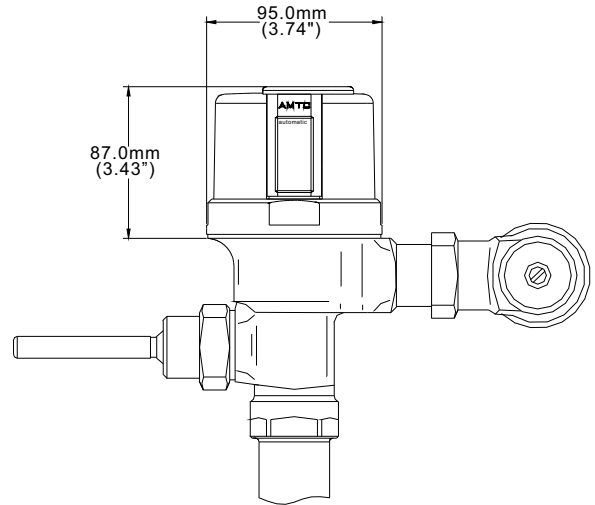
Application:



Urinal

Toilet

Dimensions:



Specifications:

Specifications:	Urinal Mode	Toilet Mode
<b>Functionality:</b>	Dual (Automatic/Manual)	Dual (Automatic/Manual)
<b>Outer Casing:</b>	Standard-Chrome Metal	Standard-Chrome Metal
<b>Operating Water Pressure:</b>	20 PSI - 80 PSI	20 PSI - 80 PSI
<b>Battery Type:</b>	Four AA Alkaline Batteries	Four AA Alkaline Batteries
<b>Battery Life:</b>	Up to 100,000 Flushes	Up to 100,000 Flushes
<b>AC Power: (optional)</b>	6 Volt DC Adapter	6 Volt DC Adapter
<b>Arming Delay:</b>	5 Seconds	5 Seconds
<b>Flush Delay:</b>	0.5 Seconds	3 Seconds
<b>Sensing Range:</b>	18" (45cm) - 30" (75cm)	18" (45cm) - 30" (75cm)
<b>Sensor Angle:</b>	Adjustable Angle	Adjustable Angle
<b>Flush Volume:</b>	Any Flush Volume Cycle*	Any Flush Volume Cycle*
<b>Flush Mode-Normal:</b>	After Every Use	After Every Use
<b>Flush Mode-Water Saver:</b>	After Every Other Use	N/A
<b>Manual Override:</b>	Flush Handle/Push Button	Flush Handle/Push Button
<b>Ghost Flush:</b>	24 Hour (On/Off)	24 Hour (On/Off)

\*Flush volume may vary depending on diaphragm used.



Advanced Modern  
Technologies Corporation

3451 South Main Street, Los Angeles, CA 90007  
Tel: (323) 232-6688 Toll Free: (800) 874-7822 Fax: (323) 232-8318  
www.amtcorporation.com